

PRODUCT CENTER

产品中心

Home / Product / Micro Switch



KW7-3-G06



Features

1. Various levers and terminals are available.
2. Snap action, compact design, suit for small space.
3. Long operating life, high reliability, which could save the cost.

4. Various rating and temperature resistance degree are available.

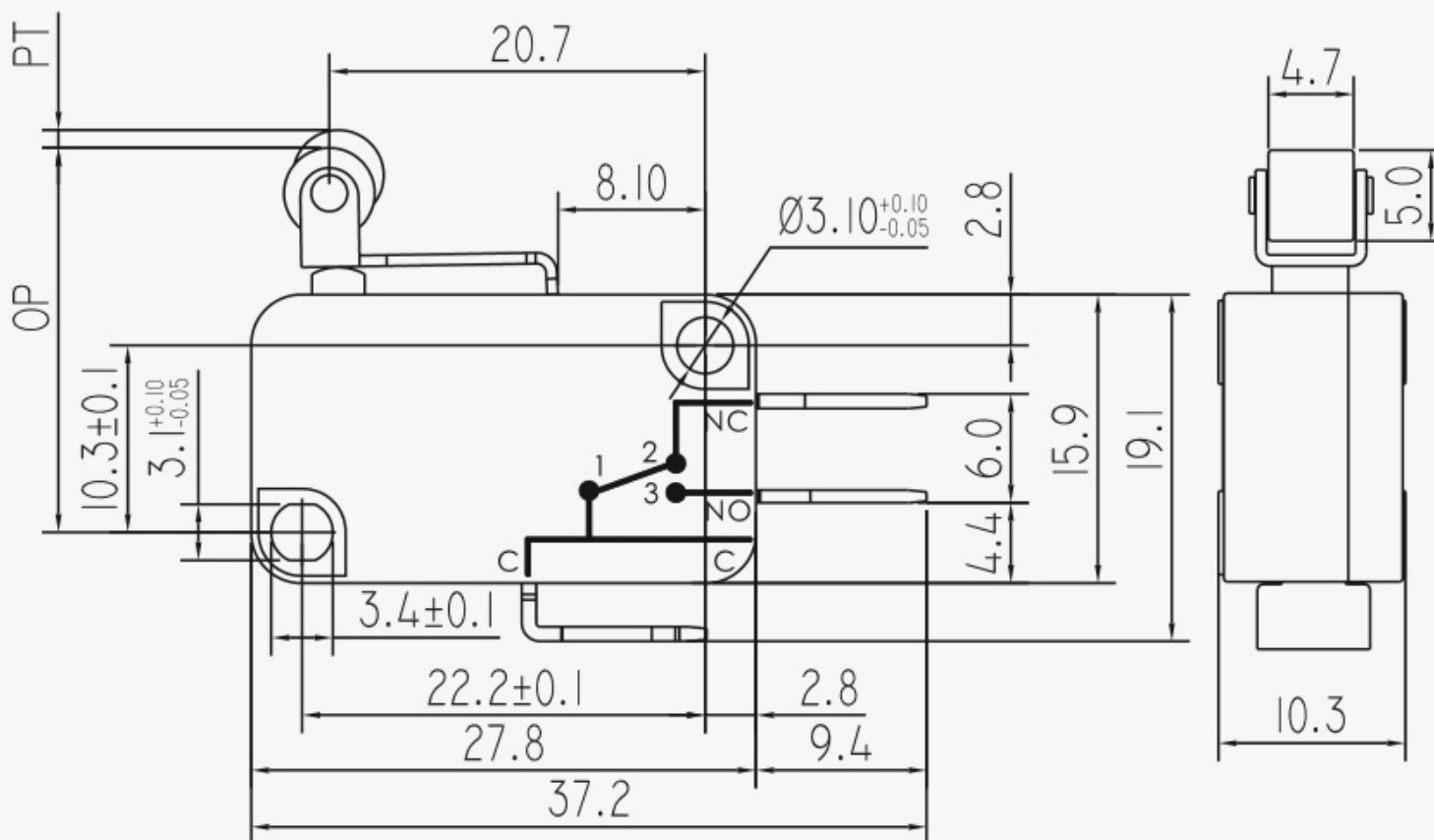
5. CCC, CE, UL, VDE approvals.

Application Area

Widely applied in home appliance, electronic device, auto electronic, automation equipment etc.

Product map and size diagram

Product characteristics / Rating



Product
Service
News
About
Contact

Micro Switch
Limit switch
Toggle Switch
Foot switch
power switch

About
History
Factory
R&D
Quality
Honor
Jobs

Contact
Online Contact
Purchasing



Follow WeChat



Mobile website